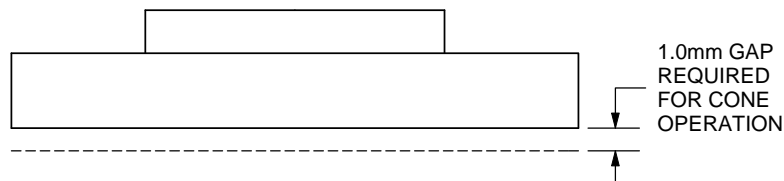
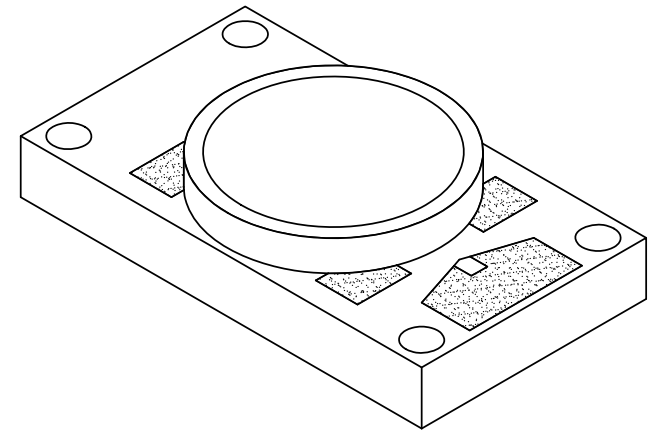
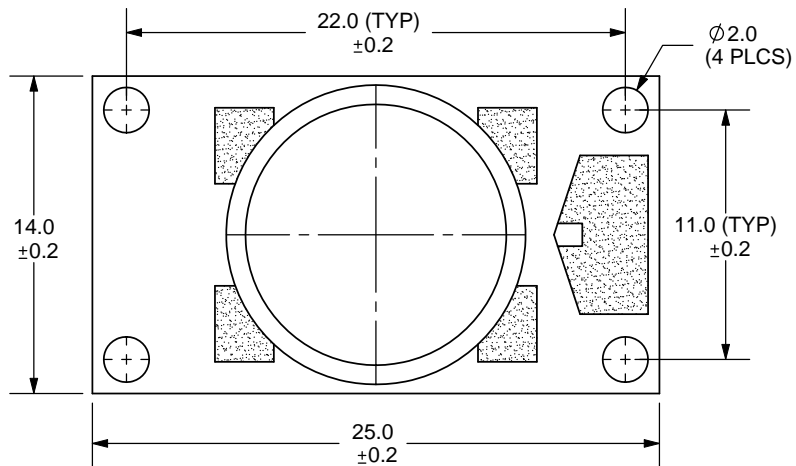
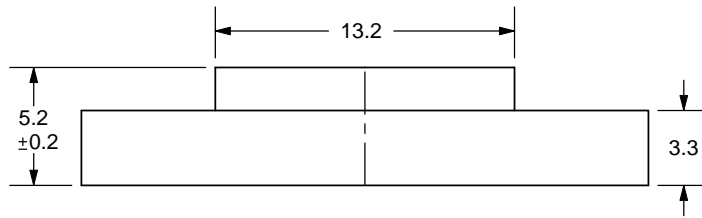


| REV. | DESCRIPTION | DATE |
|------|------------------------|------------|
| A | NEW DRAWING | 6/4/2007 |
| B | cone gap diagram added | 10/21/2008 |



TOLERANCE:
±0.5mm UNLESS OTHERWISE
SPECIFIED



20050 SW 112th Ave.
Tualatin, OR 97062
Phone: 503-612-2300
800-275-4899
Fax: 503-612-2383
Website: www.cui.com

| | | |
|-------------------------------------|--------------------|------------|
| TITLE: LOW PROFILE NOTEBOOK SPEAKER | | REV: B |
| PART NO. GC0251K | UNITS: MM [INCHES] | |
| DRAWN BY: ZRJ | APPROVED BY: | SCALE: 3:1 |

PC FILE NAME:
GC0251K

COPYRIGHT 2008 BY CUI INC.